

How to reprogram a CI-68 for different water temperatures.

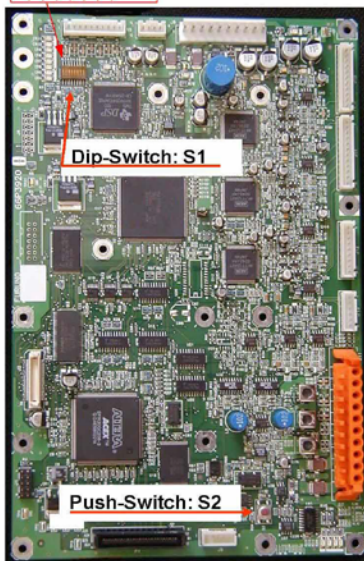
The default water temperature setting for a new CI-68 is 15 degrees Celsius or 59 degrees Fahrenheit. If a vessel is going to operate in either colder (5C or 41F) or warmer (25C or 77F) waters you can improve the current detection depths by reprogramming the Current Doppler for the proper water temperature. This is easily done by reconfiguring switches 4 and 5 of S1 on the PCP board.

Furuno CI-68

Dip-switch & Jumper setting

Dip-switch S1 setting of the PCP board

Dip-switch is numbered L to R 8,7,6,5,4,3,2,1



No.	Function	Factory set	OFF	ON
1		OFF	Factory use only	
2		OFF		
3	CIF data through function	OFF	Deactivate	Activate
4	TVG curve setting	OFF	#4, #5, #6 ON, OFF, OFF: for water temperature "5" degrees" OFF, OFF, OFF: for water temperature "15" degrees" ON, ON, OFF: for water temperature "25 degrees"	
5		OFF		
6		OFF		
7		OFF	Factory use only	
8		OFF	Factory use only	

S2: Reset switch of the CPU.

The PCP (CPU) board is located behind the interface (PCN) board in the CI-68's transceiver unit. You should be able to access the PCP dip-switches without having to remove the interface board.

Transceiver of CI-68

